



Patton Tool Co. Inc.

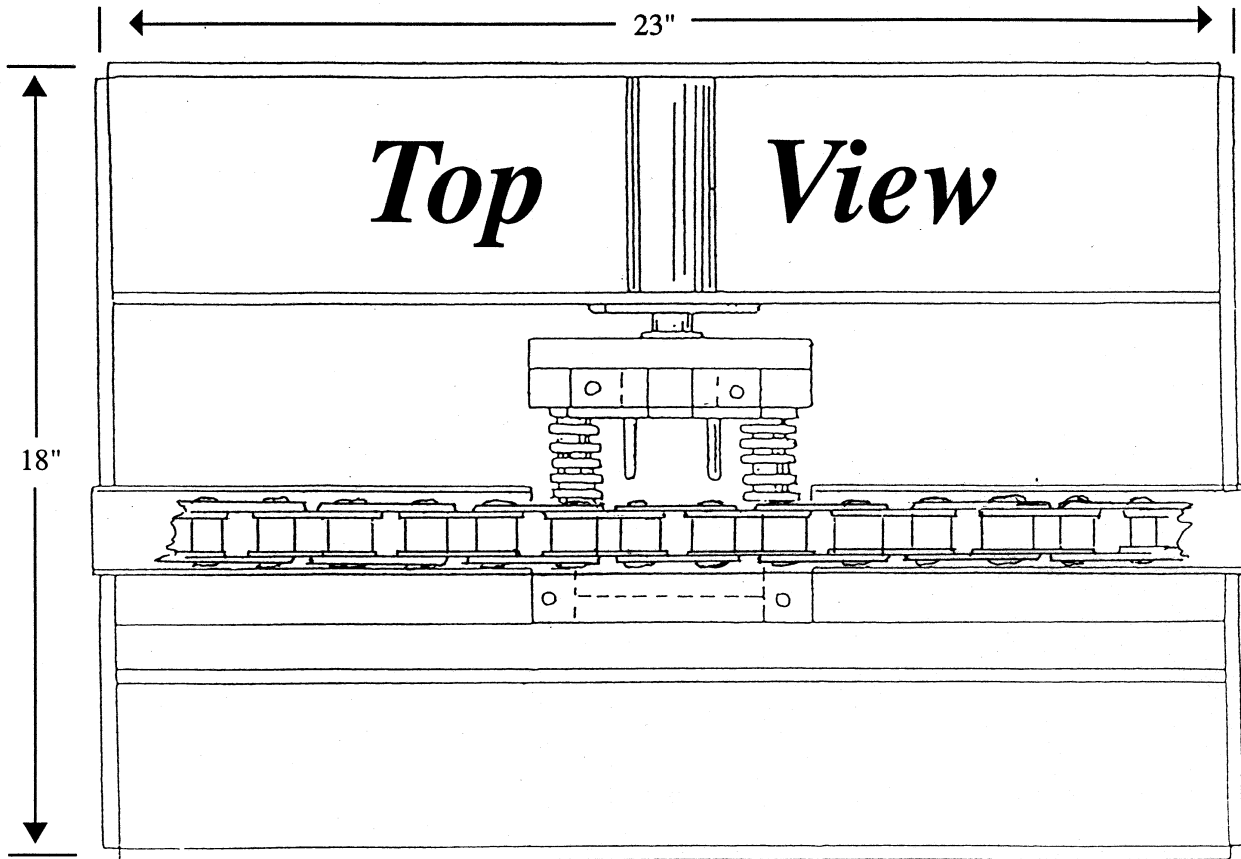
67 Mainline Drive
Westfield, Massachusetts 01085
Established 1947

NEW HYDRAULIC ROLLER CHAIN BREAKER

Now Break Roller Chains Fast & Easy with Hydraulic Power

MADE IN U.S.A.

Please Visit Our Website - www.pattontool.com



Video Available Upon Request

A Must When Breaking a Lot of Chain



Two Hydraulic Pump Options: Electric & Hand



Chain Breaker may be placed on bench top, or use legs supplied.



Two Pull Pins Make Change Over Easy.



Will work on Roller Chain with a Pitch of: .375, .500, .625, .750, 1.000 & 1.250

PATENT # 5,787,701